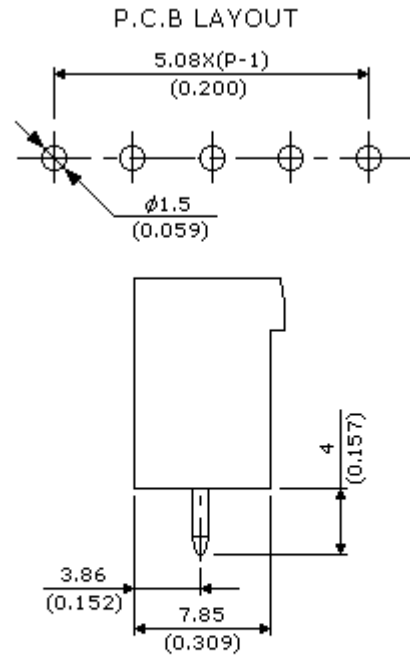
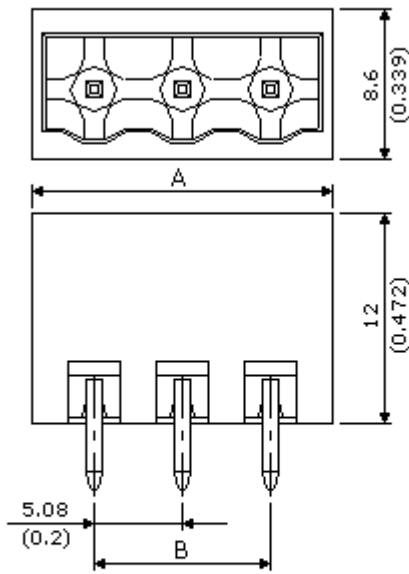




# DRAWING

DIMENSIONS UNIT:mm(inch)  
ETB43\*\*1 SERIES

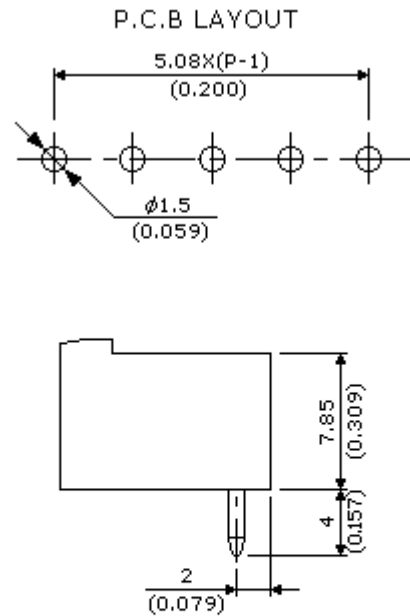
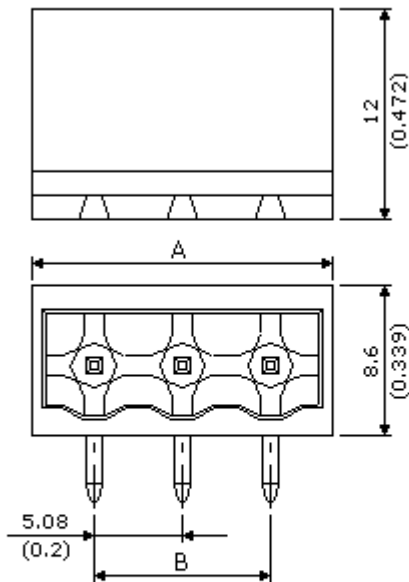


Pitch=5.08mm(0.2inch)

\*\*NUMBER OF POLE 02~16.

POLE	2	3	4	5	6	7	8	9	10	11	12	13	14	15	16
A±0.8	12.18 (0.480)	17.26 (0.680)	22.34 (0.880)	27.42 (1.080)	32.50 (1.280)	37.58 (1.480)	42.66 (1.680)	47.74 (1.880)	52.82 (2.080)	57.90 (2.280)	62.98 (2.480)	68.06 (2.680)	73.14 (2.880)	78.22 (3.080)	83.31 (3.280)
B±0.5	5.08 (0.200)	10.16 (0.400)	15.24 (0.600)	20.32 (0.800)	25.40 (1.000)	30.48 (1.200)	35.56 (1.400)	40.64 (1.600)	45.72 (1.800)	50.80 (2.000)	55.88 (2.200)	60.96 (2.400)	66.04 (2.600)	71.12 (2.800)	76.20 (3.000)

DIMENSIONS UNIT:mm(inch)  
ETB43\*\*2 SERIES



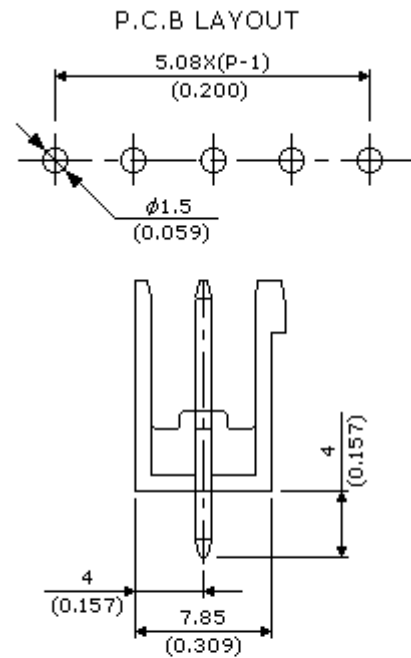
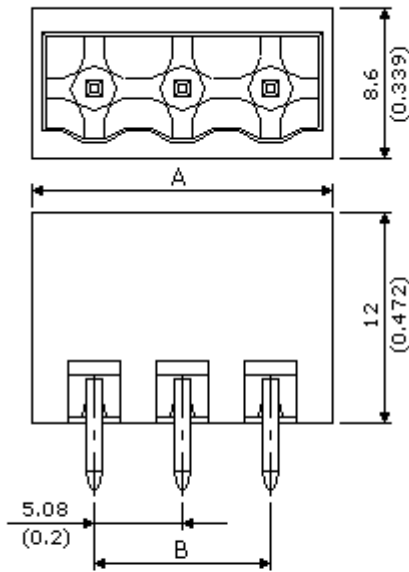
Pitch=5.08mm(0.2inch)

\*\*NUMBER OF POLE 02~16.

POLE	2	3	4	5	6	7	8	9	10	11	12	13	14	15	16
A±0.8	12.18 (0.480)	17.26 (0.680)	22.34 (0.880)	27.42 (1.080)	32.50 (1.280)	37.58 (1.480)	42.66 (1.680)	47.74 (1.880)	52.82 (2.080)	57.90 (2.280)	62.98 (2.480)	68.06 (2.680)	73.14 (2.880)	78.22 (3.080)	83.31 (3.280)
B±0.5	5.08 (0.200)	10.16 (0.400)	15.24 (0.600)	20.32 (0.800)	25.40 (1.000)	30.48 (1.200)	35.56 (1.400)	40.64 (1.600)	45.72 (1.800)	50.80 (2.000)	55.88 (2.200)	60.96 (2.400)	66.04 (2.600)	71.12 (2.800)	76.20 (3.000)

DIMENSIONS UNIT:mm(inch)

ETB43\*\*3 SERIES



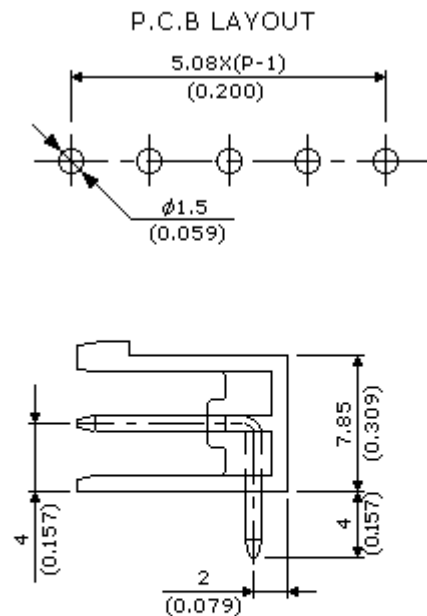
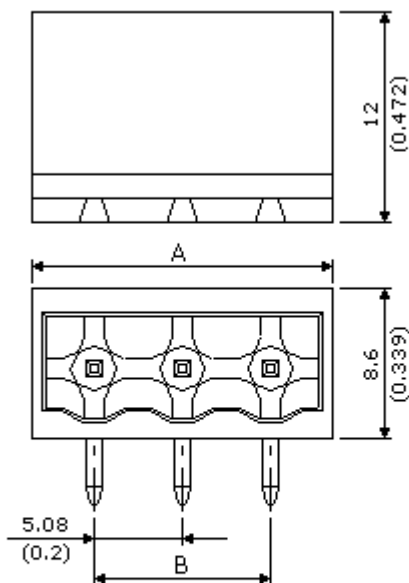
Pitch=5.08mm(0.2inch)

\*\*NUMBER OF POLE 02~16.

POLE	2	3	4	5	6	7	8	9	10	11	12	13	14	15	16
A±0.8	10.16 (0.400)	15.24 (0.600)	20.32 (0.800)	25.40 (1.000)	30.48 (1.200)	35.56 (1.400)	40.64 (1.600)	45.72 (1.800)	50.80 (2.000)	55.88 (2.200)	60.96 (2.400)	66.04 (2.600)	71.12 (2.800)	76.20 (3.000)	81.28 (3.200)
B±0.5	5.08 (0.200)	10.16 (0.400)	15.24 (0.600)	20.32 (0.800)	25.40 (1.000)	30.48 (1.200)	35.56 (1.400)	40.64 (1.600)	45.72 (1.800)	50.80 (2.000)	55.88 (2.200)	60.96 (2.400)	66.04 (2.600)	71.12 (2.800)	76.20 (3.000)

DIMENSIONS UNIT:mm(inch)

ETB43\*\*4 SERIES



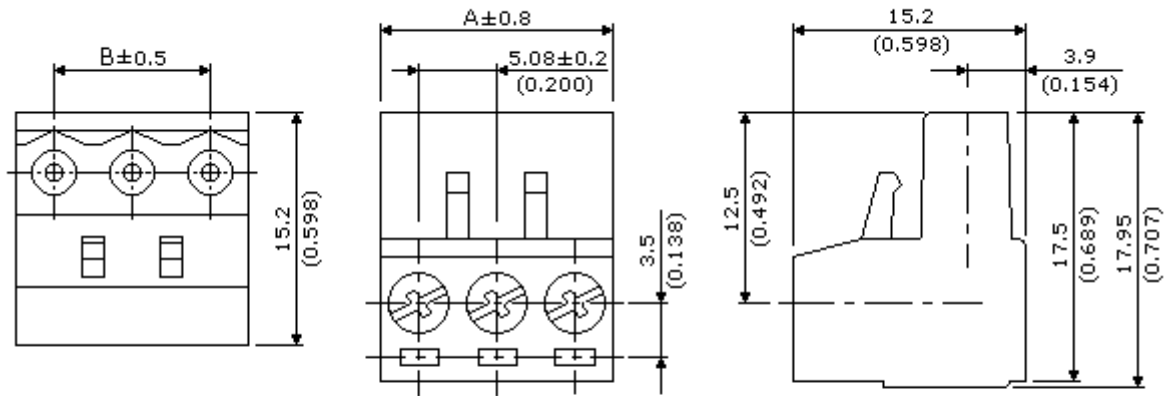
Pitch=5.08mm(0.2inch)

\*\*NUMBER OF POLE 02~16.

POLE	2	3	4	5	6	7	8	9	10	11	12	13	14	15	16
A±0.8	10.16 (0.400)	15.24 (0.600)	20.32 (0.800)	25.40 (1.000)	30.48 (1.200)	35.56 (1.400)	40.64 (1.600)	45.72 (1.800)	50.80 (2.000)	55.88 (2.200)	60.96 (2.400)	66.04 (2.600)	71.12 (2.800)	76.20 (3.000)	81.28 (3.200)
B±0.5	5.08 (0.200)	10.16 (0.400)	15.24 (0.600)	20.32 (0.800)	25.40 (1.000)	30.48 (1.200)	35.56 (1.400)	40.64 (1.600)	45.72 (1.800)	50.80 (2.000)	55.88 (2.200)	60.96 (2.400)	66.04 (2.600)	71.12 (2.800)	76.20 (3.000)

DIMENSIONS UNIT:mm(inch)

ETB41\*\*0 SERIES



Pitch=5.08mm(0.2inch)

\*\*NUMBER OF POLE 02~16.

POLE	2	3	4	5	6	7	8	9	10	11	12	13	14	15	16
$A \pm 0.8$	10.16 (0.400)	15.24 (0.600)	20.32 (0.800)	25.40 (1.000)	30.48 (1.200)	35.56 (1.400)	40.64 (1.600)	45.72 (1.800)	50.80 (2.000)	55.88 (2.200)	60.96 (2.400)	66.04 (2.600)	71.12 (2.800)	76.20 (3.000)	81.28 (3.200)
$B \pm 0.5$	5.08 (0.200)	10.16 (0.400)	15.24 (0.600)	20.32 (0.800)	25.40 (1.000)	30.48 (1.200)	35.56 (1.400)	40.64 (1.600)	45.72 (1.800)	50.80 (2.000)	55.88 (2.200)	60.96 (2.400)	66.04 (2.600)	71.12 (2.800)	76.20 (3.000)